

Type: \_\_\_\_\_

Model: \_\_\_\_\_

Project: \_\_\_\_\_

## SPECIFICATION SHEET

### MODEL: BB-08 LED HO

#### SPECIFICATIONS

**HOUSING:**

Spun copper

**LENS:**

Clear tempered glass convex lens.

**LAMP TYPE:**

3-watt LED Slugger

**MOUNTING:**

Cast brass stem threaded with 1/2" NPT. Heavy-duty composite stake included. May be mounted into threaded hubs in junction boxes or with mounting accessories.

**WIRING:**

Prewired with 5' pigtail of 18/2 cable.

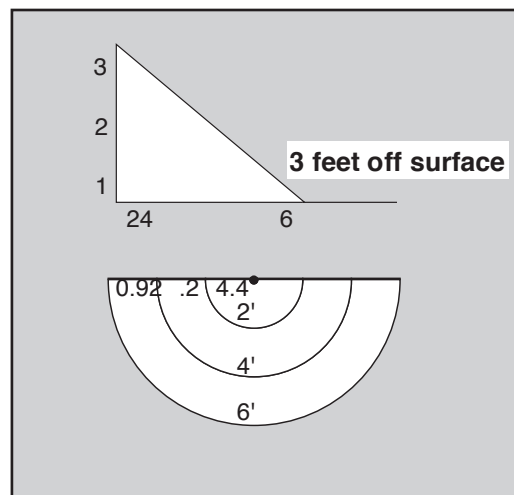
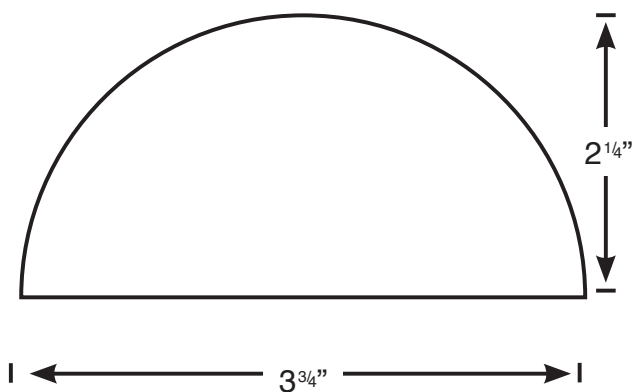
**WARRANTY:**

Lifetime.



This understated yet powerful fixture casts the industry's widest indirect wash of illumination from its perch upon deck posts and retaining walls. Our "half moon" sconce delivers rich ambient light, and the beautiful copper finish weathers the elements with grace over time.

#### DIMENSIONS:



LED LAMP SPECIFICATIONS

**OPTICS:**

Integral optics providing available beam spreads from 15° to 60°.

**COLOR TEMPERATURES:**

Color temperature options provide the following qualities: 2700K=ultra-warm; 3000K=warm white; 4000K=neutral white; 5000K=cool white. Decorative color light options include amber, blue, green, and red.



FIXTURE	LAMP			MOUNTING		RISER	
BB-08 LED HO	WATTAGE	BEAM SPREAD	COLOR TEMP.	<b>MS</b>	Composite stake (incl.) 490029	<b>R2</b>	2" brass riser 490038
	2W	25° / 40° / 60°	2700K / 3000K	<b>M3</b>	3-prong tri-stake 490030	<b>R3</b>	3" brass riser 490039
	4W	25° / 40° / 60°	2700K / 3000K	<b>MY</b>	Y-bracket surface mount 490045	<b>R6</b>	6" brass riser 490031
	5W	15° / 25° / 40° / 60°	2700K / 3000K	<b>MG</b>	Brass gutter mount 490047	<b>R12</b>	12" brass riser 490032
		25°	Amber / Blue / Green / Red	<b>MR</b>	Round 3-hole surface mount 490048	<b>R24</b>	24" brass riser 490033
	6W	25° / 40° / 60°	2700K / 3000K	<b>MP</b>	PVC mounting stake 490037		
	7W	25° / 40°	2700K / 3000K / 4000K / 5000K				
		60°	2700K / 3000K				